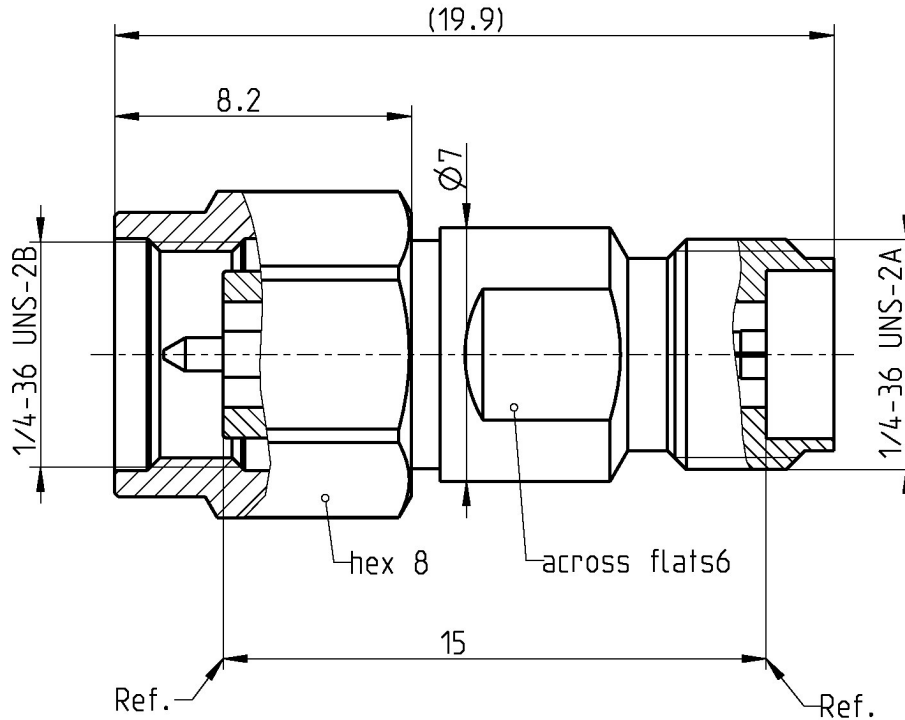


serial ident.no.



All dimensions are in mm; tolerances according to ISO 2768 m-H

**Interface**

Mechanically compatible with RPC-3.50 and SMA

**Documents**

N/A

**Material and plating**

**Connector parts**

Center contact  
Outer contact  
Coupling nut

**Material**

Beryllium copper  
Brass  
Stainless steel

**Plating**

Gold, min. 1.27 µm, over chemical nickel  
Gold, min. 1.27 µm, over chemical nickel  
Passivated

**Electrical data**

Impedance	50 Ω ± 0.60 Ω
Frequency	0.3 GHz to 40 GHz
Return loss	≥ 38 dB, 0.3 GHz to 4 GHz ≥ 30 dB, 4 GHz to 40 GHz
Insertion loss	≤ 0.075 dB at 40 GHz
Center contact resistance	≤ 3.0 mΩ
Outer contact resistance	≤ 2.0 mΩ

**Mechanical data**

Mating cycles	≥ 500
Coupling test torque	1.70 Nm
Recommended torque	0.80 Nm to 1.10 Nm
Airline dimensions:	
- Outer diameter	2.920 mm ± 0.005 mm
- Inner diameter	1.270 mm ± 0.007 mm
- Length	15.00 mm ± 0.02 mm

**Environmental data**

Temperature range	-40°C to +85°C
Thermal shock	MIL-STD-202, Method 107, Condition B
Corrosion	MIL-STD-202, Method 101, Condition B
Vibration	MIL-STD-202, Method 204, Condition D
Shock	MIL-STD-202, Method 213, Condition I
Moisture resistance	MIL-STD-202, Method 106

**Tooling**

N/A

**Suitable cables**

N/A

**Packing**

Standard	1 pce in box
Weight	4.0 g/pce

While the information has been carefully compiled to the best of our knowledge, nothing is intended as representation or warranty on our part and no statement herein shall be construed as recommendation to infringe existing patents. In the effort to improve our products, we reserve the right to make changes judged to be necessary.

Draft	Date	Approved	Date	Rev.	Engineering change number	Name	Date
Herbert Babinger	06/12/04	Armin Maiwaelder	14/12/04	a00	04-0130	Herbert Babinger	06/12/04
Rosenberger Hochfrequenztechnik GmbH & Co. KG P.O.Box 1260 D-84526 Tittmoning Germany <a href="http://www.rosenberger.de">www.rosenberger.de</a>						Tel.: +49 8684 18-0 Fax: +49 8684 18-499 email: <a href="mailto:info@rosenberger.de">info@rosenberger.de</a>	
							Page 2 / 2